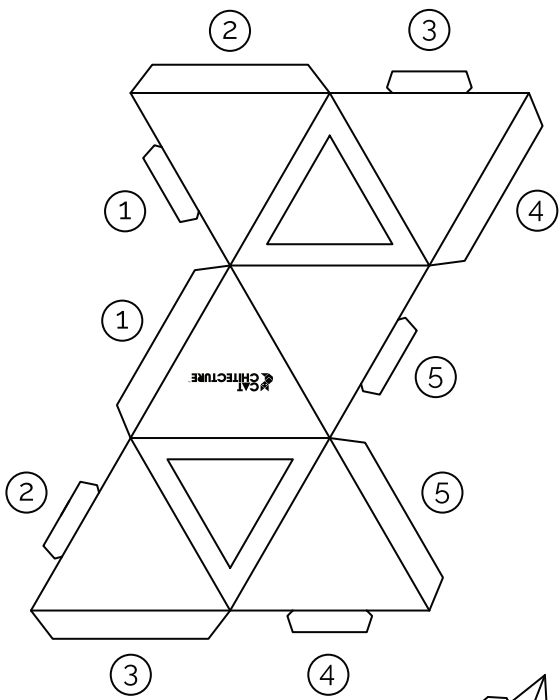
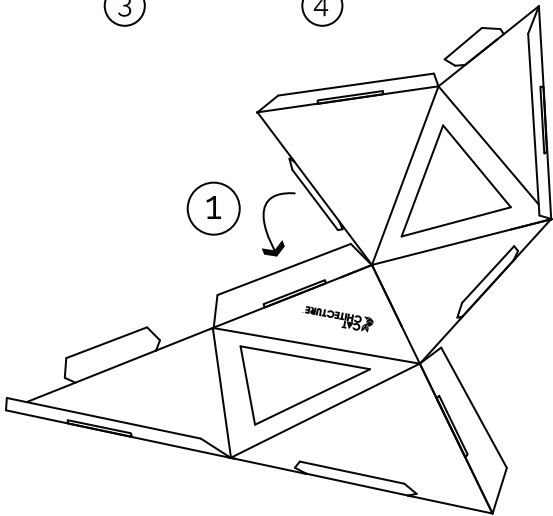




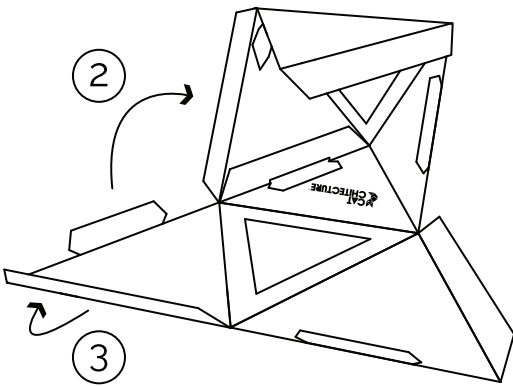
- Start with numbers facing the ground and logo facing up
- Tabs positioned as shown
- Fold tabs upwards



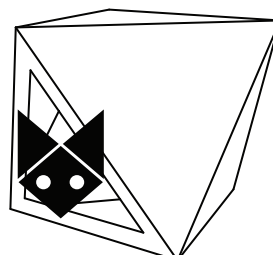
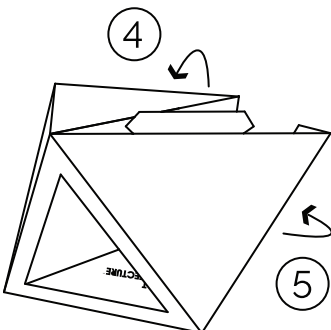
- Start with both #1 tabs
- **Fold large tab first**
- Insert small tab into large tab from behind



- Do the same with all tabs



- ! Before inserting tab #4
- Make sure to fold-in large tab #5



For more info
watch video assembly:
www.catchitecture.com